

TELEHANDLERS

T3007

MINIATURE BODYWORK
FLEXIBLE OPERATION



HI**SEN**

TOUGH, RELIABLE

LEARN MORE AT [LEARN MORE AT CHINESEEXCAVATOR.COM](http://CHINESEEXCAVATOR.COM)



PRODUCT PARAMETERS

TELEHANDLER T3007

Max. capacity 3000 kg

Max. lifting height 7.0 m

Max. outreach 3.2 m

Overall length to carriage l11 4.65 m

Length to face of forks l1 5.87 m

Min transport size l12 4.35 m

Overall width b1 2.20 m

Track width b2 1.78 m

Overall height h17 2.55 m

Wheelbase y 3.15 m

Ground clearance m4 0.35 m

Overall cab width b4 0.84 m

Tilt-up angle a4 12°

Tilt-down angle a5 90°

External turning radius(over tyres) 4.25 m

Unladen weight(with fork) 7600 kg

Tires type Pneumatic

Standard tires l/e/s 16/70 -20

Lifting 10 s

Lowering 7 s

Extension 12 s

Retraction 8.6 s

Crowd 4.8 s

Dump 3.4 s

Engine brand Yunnei Engine

Engine norm National II

Max. fuel sulphur content 5000 ppm

Engine model YN38GBZ

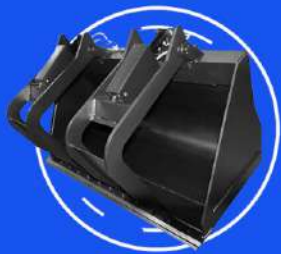
Number of cylinders / Capacity of cylinders 4 - 4400 cm³

I.C. Engine power rating - Power 103 Hp / 76 kW



PALLET FORKS

Rugged design makes it easier to handle heavy palletized material



GRAPPLE BUCKET

Uses hydraulic arms to secure bulky loads and is useful for cleaning debris from job sites



MATERIAL HANDLING ARM

Designed for lifting and placing objects around the job site



PIPE GRAPPLE

For handling multiple pipes or a larger single pipe



LOG HANDLER

For handling multiple logs or a large single log



BALE CLAMP

For picking, carrying and placing large square bales



BALE CRADLE

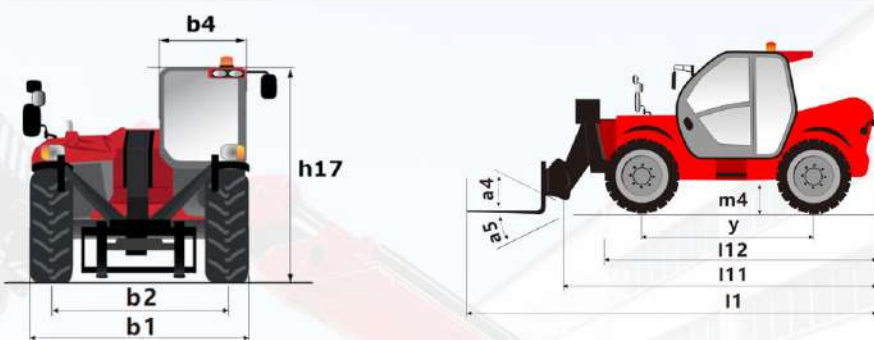
For picking, carrying and placing large round bales



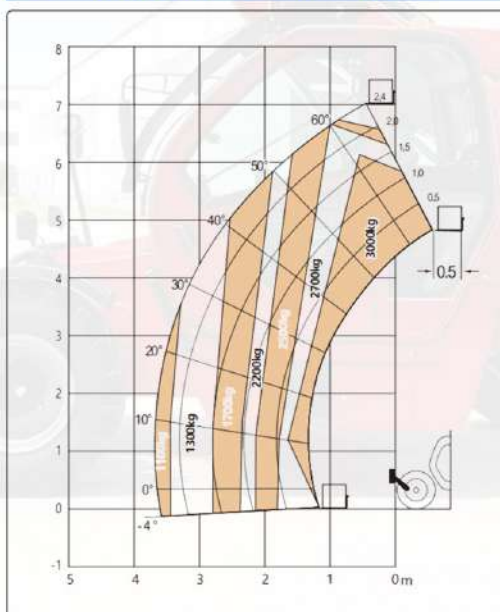
STANDARD CARRIAGE

Forks that are fully floating and adjustable side-to-side for efficient load entry and exit

Max. torque / Engine rotation	400 Nm @ 1400 rpm
Drawbar pull (Laden)	Torque converter
Number of gears (forward / reverse)	4 / 4
Max. travel speed	35 km/h
Parking brake	Automatic air-cut brake
Service brake	immersed multi-discs braking on front & rear axles
Hydraulic pump type	Gear pump
Hydraulic flow	120L
Engine oil	5.5L
Hydraulic oil	170L
Fuel tank	195L
Noise at driving position (LpA)	82 dB
Noise to environment (LwA)	105 dB
Vibration on hands / arms	< 2.50 m/s ²
Steering wheels (front / rear)	2 / 2
Drive wheels (front / rear)	2 / 2
Safety cab homologation	FOPS level 2 cab



Machine on tyres with forks - with levelling device Metric



TELEHANDLERS

T3507

MINIATURE BODYWORK
FLEXIBLE OPERATION



HI  **SEN**

TOUGH, RELIABLE

LEARN MORE AT [LEARN MORE AT CHINESEEXCAVATOR.COM](http://CHINESEEXCAVATOR.COM)



PRODUCT PARAMETERS

TELEHANDLER T3507

Max. capacity 3500 kg

Max. lifting height 7.0 m

Max. outreach 3.2 m

Overall length to carriage l11 4.65 m

Length to face of forks l1 5.87 m

Min transport size l12 4.35 m

Overall width b1 2.20 m

Track width b2 1.78 m

Overall height h17 2.55 m

Wheelbase y 3.15 m

Ground clearance m4 0.35 m

Overall cab width b4 0.84 m

Tilt-up angle a4 12°

Tilt-down angle a5 90°

External turning radius(over tyres) 4.25 m

Unladen weight(with fork) 7600 kg

Tires type Pneumatic

Standard tires l/e/s 16/70 -20

Lifting 10 s

Lowering 7 s

Extension 12 s

Retraction 8.6 s

Crowd 4.8 s

Dump 3.4 s

Engine brand Yunnei Engine

Engine norm National II

Max. fuel sulphur content 5000 ppm

Engine model YN38GBZ

Number of cylinders / Capacity of cylinders 4 - 4400 cm³

I.C. Engine power rating - Power 103 Hp / 76 kW



PALLET FORKS

Rugged design makes it easier to handle heavy palletized material



GRAPPLE BUCKET

Uses hydraulic arms to secure bulky loads and is useful for cleaning debris from job sites



MATERIAL HANDLING ARM

Designed for lifting and placing objects around the job site



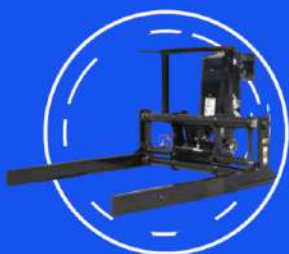
PIPE GRAPPLE

For handling multiple pipes or a larger single pipe



LOG HANDLER

For handling multiple logs or a large single log



BALE CLAMP

For picking, carrying and placing large square bales



BALE CRADLE

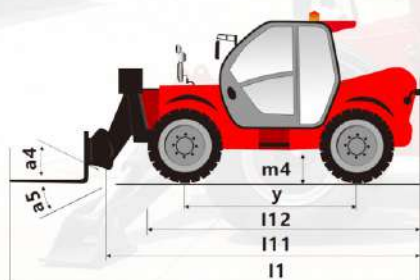
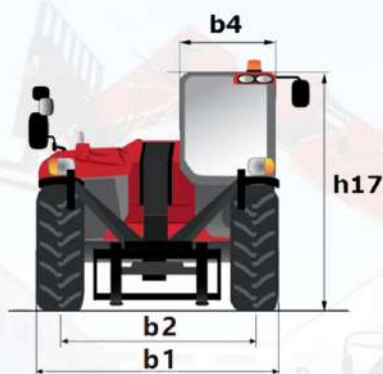
For picking, carrying and placing large round bales



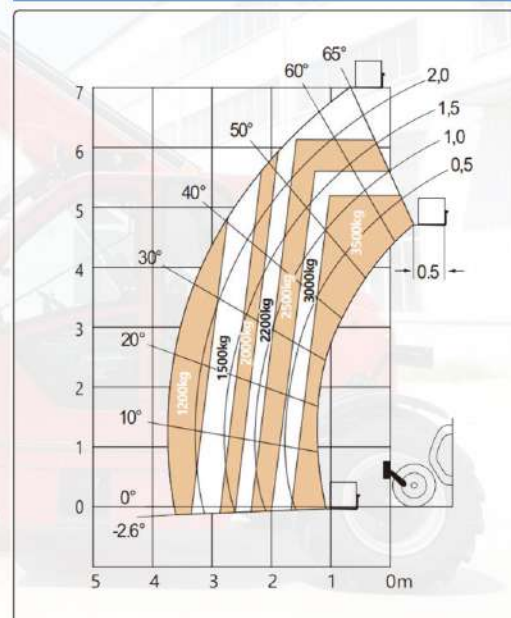
STANDARD CARRIAGE

Forks that are fully floating and adjustable side-to-side for efficient load entry and exit

Max. torque / Engine rotation	400 Nm @ 1400 rpm
Drawbar pull (Laden)	Torque converter
Number of gears (forward / reverse)	4 / 4
Max. travel speed	35 km/h
Parking brake	Automatic air-cut brake
Service brake	immersed multi-discs braking on front & rear axles
Hydraulic pump type	Gear pump
Hydraulic flow	120L
Engine oil	5.5L
Hydraulic oil	170L
Fuel tank	195L
Noise at driving position (LpA)	82 dB
Noise to environment (LwA)	105 dB
Vibration on hands / arms	< 2.50 m/s ²
Steering wheels (front / rear)	2 / 2
Drive wheels (front / rear)	2 / 2
Safety cab homologation	FOPS level 2 cab
Drawbar pull (Laden)	10000 daN
Forks length/ width/ section	1220 mm x 125 mm / 50 mm



Machine on tyres with forks - with levelling device Metric



TELEHANDLERS

T3510

MINIATURE BODYWORK
FLEXIBLE OPERATION



HI **SEN**

TOUGH, RELIABLE

LEARN MORE AT [LEARN MORE AT CHINESEEXCAVATOR.COM](http://CHINESEEXCAVATOR.COM)



PRODUCT PARAMETERS

TELEHANDLER T3510

Max. capacity 3500 kg

Max. lifting height 10.0 m

Max. outreach 6.1 m

Overall length to carriage l11 5.80 m

Length to face of forks l1 7.0 m

Min transport size l12 5.05 m

Overall width b1 2.20 m

Track width b2 1.78 m

Overall height h17 2.55 m

Wheelbase y 3.15 m

Ground clearance m4 0.35 m

Overall cab width b4 0.84 m

Tilt-up angle a4 12°

Tilt-down angle a5 90°

External turning radius(over tyres) 4.25 m

Unladen weight(with fork) 9500 kg

Tires type Pneumatic

Standard tires l/e/s 16/70 -20

Lifting 10 s

Lowering 7 s

Extension 12 s

Retraction 8.6 s

Crowd 4.8 s

Dump 3.4 s

Engine brand Yuchai

Engine norm National II

Max. fuel sulphur content 5000 ppm

Engine model YCD4M22T-105

Number of cylinders / Capacity of cylinders 4 - 4400 cm³

I.C. Engine power rating - Power 103 Hp / 77.3 kW



PALLET FORKS

Rugged design makes it easier to handle heavy palletized material



GRAPPLE BUCKET

Uses hydraulic arms to secure bulky loads and is useful for cleaning debris from job sites



MATERIAL HANDLING ARM

Designed for lifting and placing objects around the job site



PIPE GRAPPLE

For handling multiple pipes or a larger single pipe



LOG HANDLER

For handling multiple logs or a large single log



BALE CLAMP

For picking, carrying and placing large square bales



BALE CRADLE

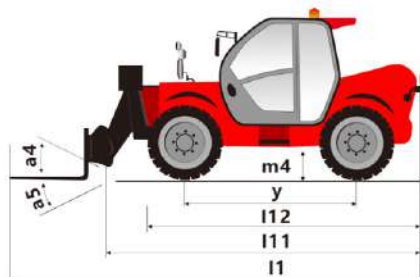
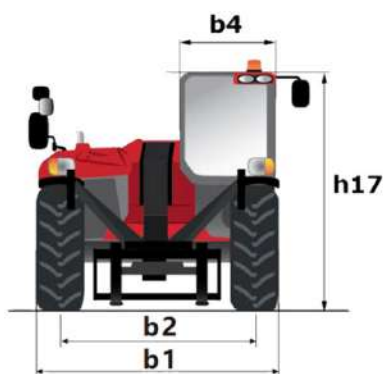
For picking, carrying and placing large round bales



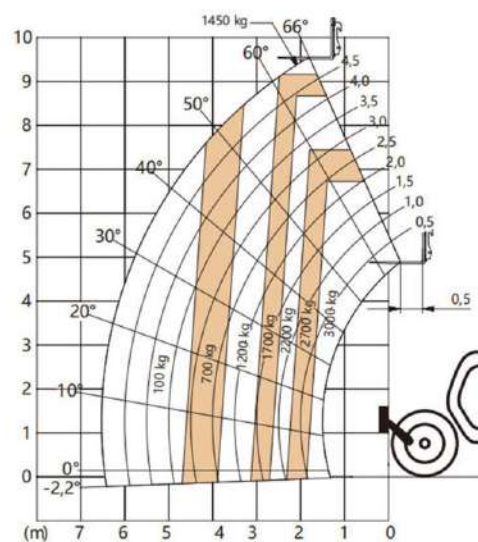
STANDARD CARRIAGE

Forks that are fully floating and adjustable side-to-side for efficient load entry and exit

Max. torque / Engine rotation	400 Nm @ 1400 rpm
Drawbar pull (Laden)	Torque converter
Number of gears (forward / reverse)	4 / 4
Max. travel speed	35 km/h
Parking brake	Automatic air-cut brake
Service brake	immersed multi-discs braking on front & rear axles
Hydraulic pump type	Gear pump
Hydraulic flow	120L
Engine oil	5.5L
Hydraulic oil	170L
Fuel tank	195L
Noise at driving position (LpA)	82 dB
Noise to environment (LwA)	105 dB
Vibration on hands / arms	< 2.50 m/s ²
Steering wheels (front / rear)	2 / 2
Drive wheels (front / rear)	2 / 2
Safety cab homologation	FOPS level 2 cab
Drawbar pull (Laden)	10000 daN
Forks length/ width/ section	1220 mm x 125 mm / 50 mm



Machine on tyres with forks - with levelling device Metric



TELEHANDLERS

T4007

MINIATURE BODYWORK
FLEXIBLE OPERATION



HI  **SEN**

TOUGH, RELIABLE

LEARN MORE AT [LEARN MORE AT CHINESEEXCAVATOR.COM](http://CHINESEEXCAVATOR.COM)



PRODUCT PARAMETERS

TELEHANDLER T4007

Max. capacity 4000 kg

Max. lifting height 7.0 m

Max. outreach 3.2 m

Overall length to carriage l11 4.65 m

Length to face of forks l1 5.87 m

Min transport size l12 4.35 m

Overall width b1 2.20 m

Track width b2 1.78 m

Overall height h17 2.55 m

Wheelbase y 3.15 m

Ground clearance m4 0.35 m

Overall cab width b4 0.84 m

Tilt-up angle a4 12°

Tilt-down angle a5 90°

External turning radius(over tyres) 4.25 m

Unladen weight(with fork) 8100 kg

Tires type Tubeless

Standard tires l/e/s 400/70-24

Lifting 10 s

Lowering 7 s

Extension 12 s

Retraction 8.6 s

Crowd 4.8 s

Dump 3.4 s

Engine brand Yuchai Engine

Engine norm National II

Max. fuel sulphur content 5000 ppm

Engine model YCD4J22T-115

Number of cylinders / Capacity of cylinders 4 - 4400 cm³

I.C. Engine power rating - Power 114 Hp / 85 kW



PALLET FORKS

Rugged design makes it easier to handle heavy palletized material



GRAPPLE BUCKET

Uses hydraulic arms to secure bulky loads and is useful for cleaning debris from job sites



MATERIAL HANDLING ARM

Designed for lifting and placing objects around the job site



PIPE GRAPPLE

For handling multiple pipes or a larger single pipe



LOG HANDLER

For handling multiple logs or a large single log



BALE CLAMP

For picking, carrying and placing large square bales



BALE CRADLE

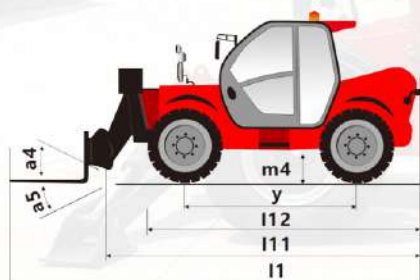
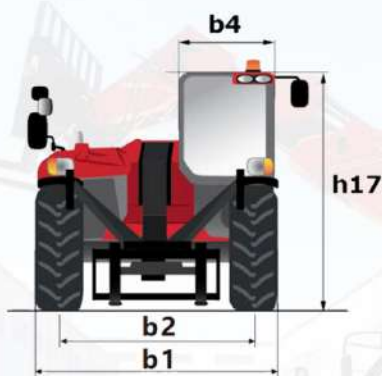
For picking, carrying and placing large round bales



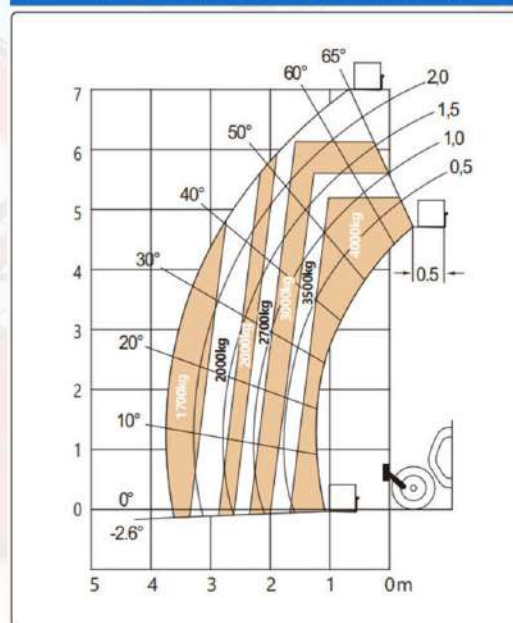
STANDARD CARRIAGE

Forks that are fully floating and adjustable side-to-side for efficient load entry and exit

Max. torque / Engine rotation	400 Nm @ 1400 rpm
Drawbar pull (Laden)	Torque converter
Number of gears (forward / reverse)	2 / 2
Max. travel speed	35 km/h
Parking brake	Automatic air-cut brake
Service brake	immersed multi-discs braking on front & rear axles
Hydraulic pump type	Gear pump
Hydraulic flow	150L
Engine oil	5.5L
Hydraulic oil	170L
Fuel tank	195L
Noise at driving position (LpA)	82 dB
Noise to environment (LwA)	105 dB
Vibration on hands / arms	< 2.50 m/s ²
Steering wheels (front / rear)	2 / 2
Drive wheels (front / rear)	2 / 2
Safety cab homologation	FOPS level 2 cab
Drawbar pull (Laden)	10000 daN
Forks length/ width/ section	1220 mm x 125 mm / 50 mm



Machine on tyres with forks - with levelling device Metric



TELEHANDLERS

T4010

MINIATURE BODYWORK
FLEXIBLE OPERATION



HI**SEN**

TOUGH, RELIABLE

LEARN MORE AT [LEARN MORE AT CHINESEEXCAVATOR.COM](http://CHINESEEXCAVATOR.COM)



PRODUCT PARAMETERS

TELEHANDLER T4010

Max. capacity		4000 kg
Max. lifting height		10.6 m
Max. outreach		6.1 m
Overall length to carriage	l11	5.80 m
Length to face of forks	l1	7.0 m
Min transport size	l12	5.05 m
Overall width	b1	2.20 m
Track width	b2	1.78 m
Overall height	h17	2.55 m
Wheelbase	y	3.15 m
Ground clearance	m4	0.35 m
Overall cab width	b4	0.84 m
Tilt-up angle	a4	12°
Tilt-down angle	a5	90°
External turning radius(over tyres)		4.25 m
Unladen weight(with fork)		10300 kg
Tires type		Tubeless
Standard tires	l/e/s	400/70-24
Lifting		10 s
Lowering		7 s
Extension		12 s
Retraction		8.6 s
Crowd		4.8 s
Dump		3.4 s
Engine brand		Yuchai Engine
Engine norm		National II
Max. fuel sulphur content		5000 ppm
Engine model		YCD4J22T-115
Number of cylinders / Capacity of cylinders		4 - 4400 cm ³
I.C. Engine power rating - Power		114 Hp / 85 kW



PALLET FORKS

Rugged design makes it easier to handle heavy palletized material



GRAPPLE BUCKET

Uses hydraulic arms to secure bulky loads and is useful for cleaning debris from job sites



MATERIAL HANDLING ARM

Designed for lifting and placing objects around the job site



PIPE GRAPPLE

For handling multiple pipes or a larger single pipe



LOG HANDLER

For handling multiple logs or a large single log



BALE CLAMP

For picking, carrying and placing large square bales



BALE CRADLE

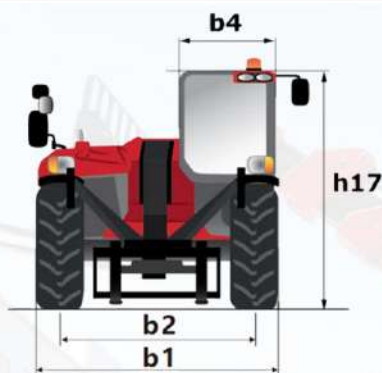
For picking, carrying and placing large round bales



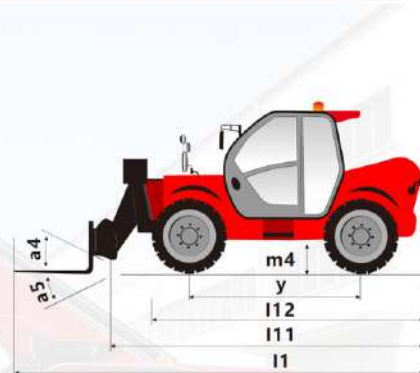
STANDARD CARRIAGE

Forks that are fully floating and adjustable side-to-side for efficient load entry and exit

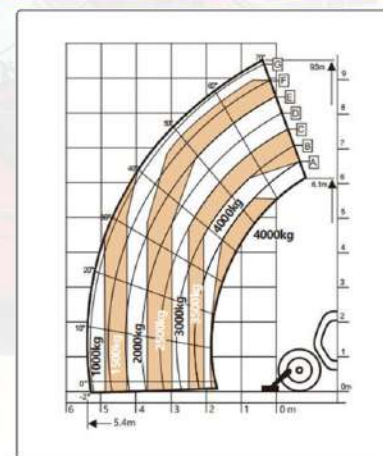
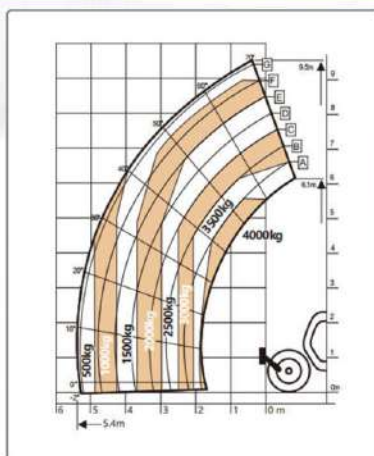
Max. torque / Engine rotation	400 Nm @ 1400 rpm
Drawbar pull (Laden)	Torque converter
Number of gears (forward / reverse)	4 / 4
Max. travel speed	35 km/h
Parking brake	Automatic air-cut brake
Service brake	immersed multi-discs braking on front & rear axles
Hydraulic pump type	Gear pump
Hydraulic flow	150L
Engine oil	5.5L
Hydraulic oil	170L
Fuel tank	195L
Noise at driving position (LpA)	82 dB
Noise to environment (LwA)	105 dB
Vibration on hands / arms	< 2.50 m/s ²
Steering wheels (front / rear)	2 / 2
Drive wheels (front / rear)	2 / 2
Safety cab homologation	FOPS level 2 cab
Drawbar pull (Laden)	10000 daN
Forks length/ width/ section	1220 mm x 125 mm / 50 mm



Machine on tyres with forks - with levelling device Metric



Machine on lowered stabilisers with forks Metric



TELEHANDLERS

T4014

MINIATURE BODYWORK
FLEXIBLE OPERATION



HI**SEN**

TOUGH, RELIABLE

LEARN MORE AT [LEARN MORE AT CHINESEEXCAVATOR.COM](http://CHINESEEXCAVATOR.COM)



PALLET FORKS

Rugged design makes it easier to handle heavy palletized material



GRAPPLE BUCKET

Uses hydraulic arms to secure bulky loads and is useful for cleaning debris from job sites



MATERIAL HANDLING ARM

Designed for lifting and placing objects around the job site



PIPE GRAPPLE

For handling multiple pipes or a larger single pipe

PRODUCT PARAMETERS

TELEHANDLER T4014

Max. capacity		4000 kg
Max. lifting height		13.8 m
Max. outreach		7.0 m
Overall length to carriage	l11	6.40 m
Length to face of forks	l1	7.62 m
Min transport size	l12	5.60 m
Overall width	b1	2.35 m
Track width	b2	1.95 m
Overall height	h17	2.55 m
Wheelbase	y	3.60 m
Ground clearance	m4	0.38 m
Overall cab width	b4	0.84 m
Tilt-up angle	a4	12°
Tilt-down angle	a5	90°
External turning radius(over tyres)		4.10 m
Unladen weight(with fork)		13000 kg
Tires type		Tubeless
Standard tires	l/e/s	440/80-24
Lifting		16 s
Lowering		12.4 s
Extension		17.3 s
Retraction		13 s
Crowd		4.8 s
Dump		4.0 s
Engine brand		Yuchai Engine
Engine norm		National II
Max. fuel sulphur content		5000 ppm
Engine model		YCD4J22T-115
Number of cylinders / Capacity of cylinders		4 - 4400 cm ³
I.C. Engine power rating - Power		114 Hp / 85 kW



LOG HANDLER

For handling multiple logs or a large single log



BALE CLAMP

For picking, carrying and placing large square bales



BALE CRADLE

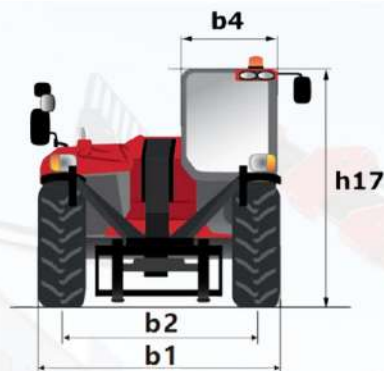
For picking, carrying and placing large round bales



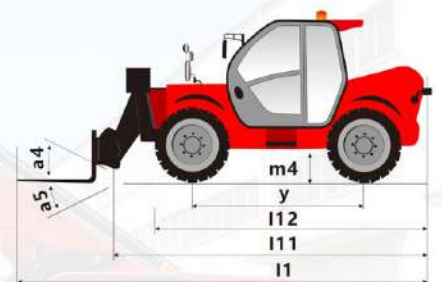
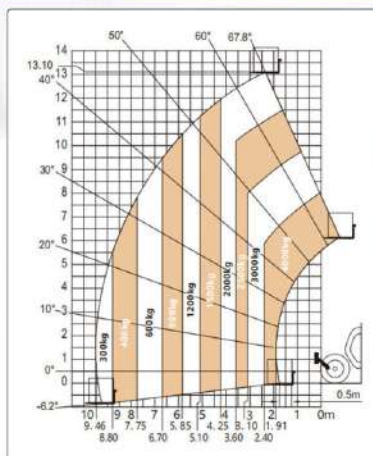
STANDARD CARRIAGE

Forks that are fully floating and adjustable side-to-side for efficient load entry and exit

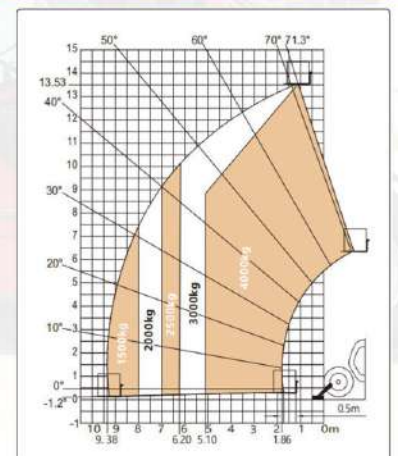
Max. torque / Engine rotation	400 Nm @ 1400 rpm
Drawbar pull (Laden)	Torque converter
Number of gears (forward / reverse)	4 / 4
Max. travel speed	40 km/h
Parking brake	Automatic air-cut brake
Service brake	immersed multi-discs braking on front & rear axles
Hydraulic pump type	Gear pump
Hydraulic flow	150L
Engine oil	5.5L
Hydraulic oil	170L
Fuel tank	195L
Noise at driving position (LpA)	79 dB
Noise to environment (LwA)	106 dB
Vibration on hands / arms	< 2.50 m/s ²
Steering wheels (front / rear)	2 / 2
Drive wheels (front / rear)	2 / 2
Safety cab homologation	FOPS level 2 cab
Drawbar pull (Laden)	9930 daN
Forks length/ width/ section	1220 mm x 125 mm / 50 mm



Machine on tyres with forks - with levelling device Metric



Machine on lowered stabilisers with forks Metric



TELEHANDLERS

T4018

MINIATURE BODYWORK
FLEXIBLE OPERATION



HI**SEN**

TOUGH, RELIABLE

LEARN MORE AT [LEARN MORE AT CHINESEEXCAVATOR.COM](http://CHINESEEXCAVATOR.COM)



PRODUCT PARAMETERS

TELEHANDLER T4018

Max. capacity		4000 kg
Max. lifting height		17.6 m
Max. outreach		12.8 m
Overall length to carriage	l11	6.40 m
Length to face of forks	l1	7.62 m
Min transport size	l12	5.60 m
Overall width	b1	2.35 m
Track width	b2	1.95 m
Overall height	h17	2.55 m
Wheelbase	y	3.60 m
Ground clearance	m4	0.38 m
Overall cab width	b4	0.84 m
Tilt-up angle	a4	12°
Tilt-down angle	a5	90°
External turning radius(over tyres)		4.10 m
Unladen weight(with fork)		13600 kg
Tires type		Tubeless
Standard tires	l/e/s	440/80-24
Lifting		16 s
Lowering		12.4 s
Extension		17.3 s
Retraction		13 s
Crowd		4.8 s
Dump		4.0 s
Engine brand		Yuchai Engine
Engine norm		National II
Max. fuel sulphur content		5000 ppm
Engine model		YCD4J22T-115
Number of cylinders / Capacity of cylinders		4 - 4400 cm ³
I.C. Engine power rating - Power		114 Hp / 85 kW



PALLET FORKS

Rugged design makes it easier to handle heavy palletized material



GRAPPLE BUCKET

Uses hydraulic arms to secure bulky loads and is useful for cleaning debris from job sites



MATERIAL HANDLING ARM

Designed for lifting and placing objects around the job site



PIPE GRAPPLE

For handling multiple pipes or a larger single pipe



LOG HANDLER

For handling multiple logs or a large single log



BALE CLAMP

For picking, carrying and placing large square bales



BALE CRADLE

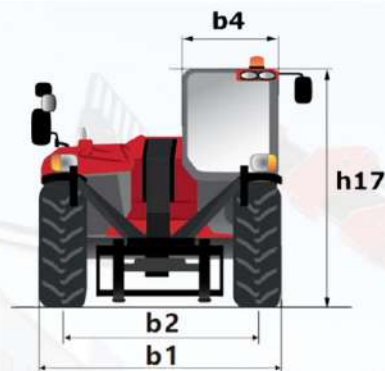
For picking, carrying and placing large round bales



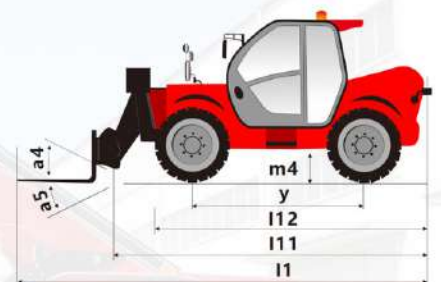
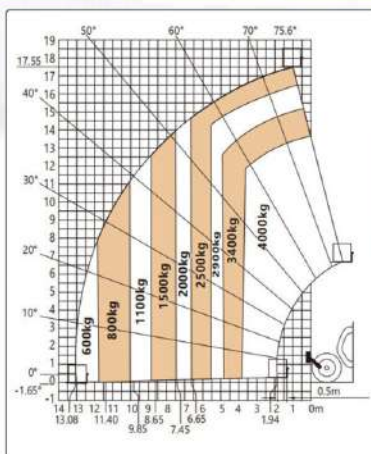
STANDARD CARRIAGE

Forks that are fully floating and adjustable side-to-side for efficient load entry and exit

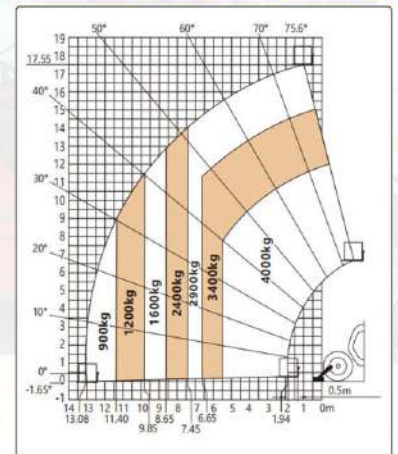
Max. torque / Engine rotation	400 Nm @ 1400 rpm
Drawbar pull (Laden)	Torque converter
Number of gears (forward / reverse)	4 / 4
Max. travel speed	40 km/h
Parking brake	Automatic air-cut brake
Service brake	immersed multi-discs braking on front & rear axles
Hydraulic pump type	Gear pump
Hydraulic flow	150L
Engine oil	5.5L
Hydraulic oil	170L
Fuel tank	195L
Noise at driving position (LpA)	79 dB
Noise to environment (LwA)	106 dB
Vibration on hands / arms	< 2.50 m/s ²
Steering wheels (front / rear)	2 / 2
Drive wheels (front / rear)	2 / 2
Safety cab homologation	FOPS level 2 cab
Drawbar pull (Laden)	9930 daN
Forks length/ width/ section	1220 mm x 125 mm / 50 mm



Machine on tyres with forks - with levelling device Metric



Machine on lowered stabilisers with forks Metric



TELEHANDLERS T5010

MINIATURE BODYWORK
FLEXIBLE OPERATION



HI**SEN**

TOUGH, RELIABLE

LEARN MORE AT [LEARN MORE AT CHINESEEXCAVATOR.COM](http://CHINESEEXCAVATOR.COM)



PRODUCT PARAMETERS

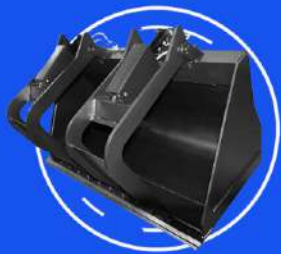
TELEHANDLER T5010

Max. capacity		5000 kg
Max. lifting height		9.8 m
Max. outreach		5.0 m
Overall length to carriage	l11	6.40 m
Length to face of forks	l1	7.62 m
Min transport size	l12	5.60 m
Overall width	b1	2.35 m
Track width	b2	1.95 m
Overall height	h17	2.55 m
Wheelbase	y	3.60 m
Ground clearance	m4	0.38 m
Overall cab width	b4	0.84 m
Tilt-up angle	a4	12°
Tilt-down angle	a5	90°
External turning radius(over tyres)		4.10 m
Unladen weight(with fork)		12800 kg
Tires type		Semi-solid
Standard tires	l/e/s	16/70 -24
Lifting		16 s
Lowering		12.4 s
Extension		17.3 s
Retraction		13 s
Crowd		4.8 s
Dump		4.0 s
Engine brand		Yuchai Engine
Engine norm		National II
Max. fuel sulphur content		5000 ppm
Engine model		YCD4J22T-125
Number of cylinders / Capacity of cylinders		4 - 4400 cm ³
I.C. Engine power rating - Power		122 Hp / 91 kW



PALLET FORKS

Rugged design makes it easier to handle heavy palletized material



GRAPPLE BUCKET

Uses hydraulic arms to secure bulky loads and is useful for cleaning debris from job sites



MATERIAL HANDLING ARM

Designed for lifting and placing objects around the job site



PIPE GRAPPLE

For handling multiple pipes or a larger single pipe



LOG HANDLER

For handling multiple logs or a large single log



BALE CLAMP

For picking, carrying and placing large square bales



BALE CRADLE

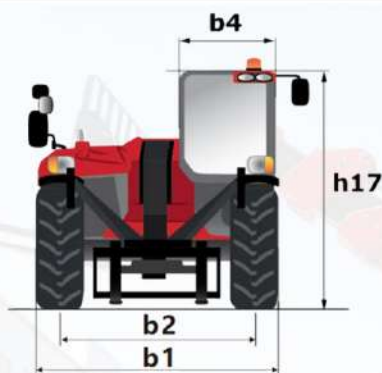
For picking, carrying and placing large round bales



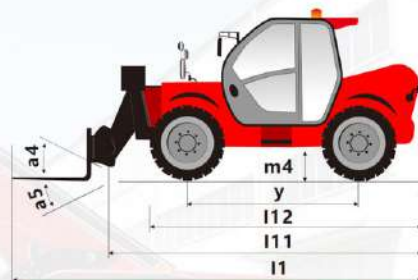
STANDARD CARRIAGE

Forks that are fully floating and adjustable side-to-side for efficient load entry and exit

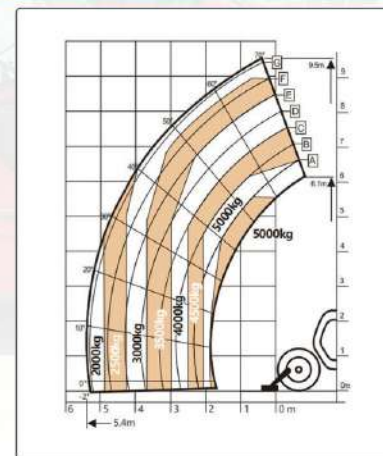
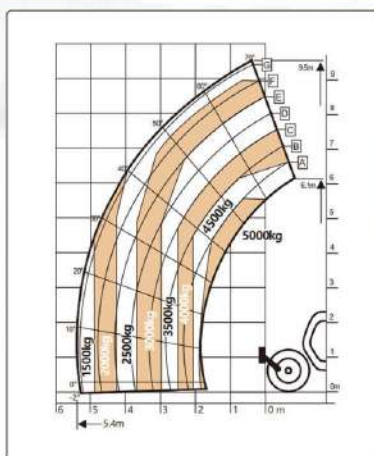
Max. torque / Engine rotation	400 Nm @ 1400 rpm
Drawbar pull (Laden)	Torque converter
Number of gears (forward / reverse)	4 / 4
Max. travel speed	40 km/h
Parking brake	Automatic air-cut brake
Service brake	immersed multi-discs braking on front & rear axles
Hydraulic pump type	Gear pump
Hydraulic flow	150L
Engine oil	5.5L
Hydraulic oil	170L
Fuel tank	195L
Noise at driving position (LpA)	82 dB
Noise to environment (LwA)	105 dB
Vibration on hands / arms	< 2.50 m/s ²
Steering wheels (front / rear)	2 / 2
Drive wheels (front / rear)	2 / 2
Safety cab homologation	FOPS level 2 cab
Drawbar pull (Laden)	10000 daN
Forks length/ width/ section	1220 mm x 125 mm / 50 mm



Machine on tyres with forks - with levelling device Metric



Machine on lowered stabilisers with forks Metric



TELEHANDLERS

T5014

MINIATURE BODYWORK
FLEXIBLE OPERATION



HI**SEN**

TOUGH, RELIABLE

LEARN MORE AT [LEARN MORE AT CHINESEEXCAVATOR.COM](http://CHINESEEXCAVATOR.COM)



PRODUCT PARAMETERS

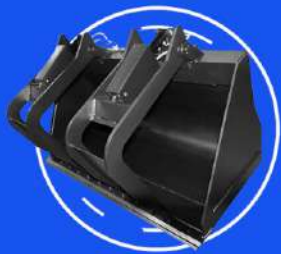
TELEHANDLER T5014

Max. capacity		5000 kg
Max. lifting height		13.8 m
Max. outreach		8.0 m
Overall length to carriage	l11	6.60 m
Length to face of forks	l1	7.82 m
Min transport size	l12	6.30 m
Overall width	b1	2.35 m
Track width	b2	1.90 m
Overall height	h17	2.65 m
Wheelbase	y	3.60 m
Ground clearance	m4	0.38 m
Overall cab width	b4	0.84 m
Tilt-up angle	a4	12°
Tilt-down angle	a5	90°
External turning radius(over tyres)		4.10 m
Unladen weight(with fork)		13600 kg
Tires type		Tubeless
Standard tires	l/e/s	440/80-24
Lifting		26 s
Lowering		26 s
Extension		29 s
Retraction		17 s
Crowd		9 s
Dump		9 s
Engine brand		Yuchai Engine
Engine norm		National II
Max. fuel sulphur content		5000 ppm
Engine model		YCD4J22T-125
Number of cylinders / Capacity of cylinders		4 - 4400 cm ³
I.C. Engine power rating - Power		122 Hp / 91 kW



PALLET FORKS

Rugged design makes it easier to handle heavy palletized material



GRAPPLE BUCKET

Uses hydraulic arms to secure bulky loads and is useful for cleaning debris from job sites



MATERIAL HANDLING ARM

Designed for lifting and placing objects around the job site



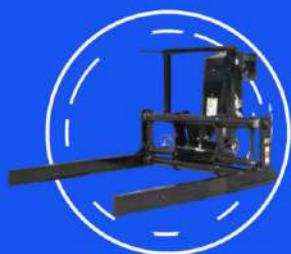
PIPE GRAPPLE

For handling multiple pipes or a larger single pipe



LOG HANDLER

For handling multiple logs or a large single log



BALE CLAMP

For picking, carrying and placing large square bales



BALE CRADLE

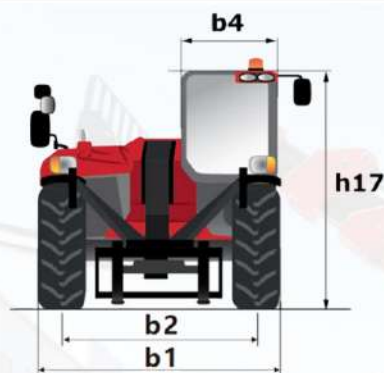
For picking, carrying and placing large round bales



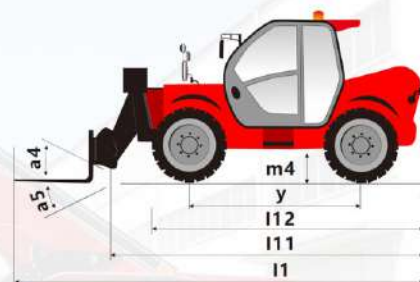
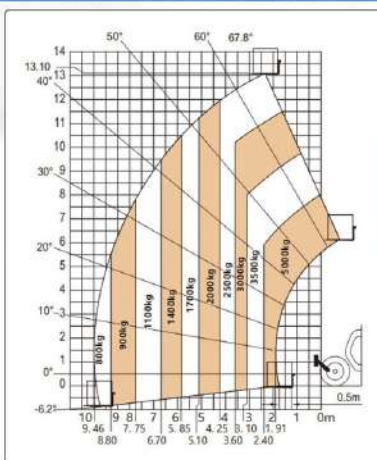
STANDARD CARRIAGE

Forks that are fully floating and adjustable side-to-side for efficient load entry and exit

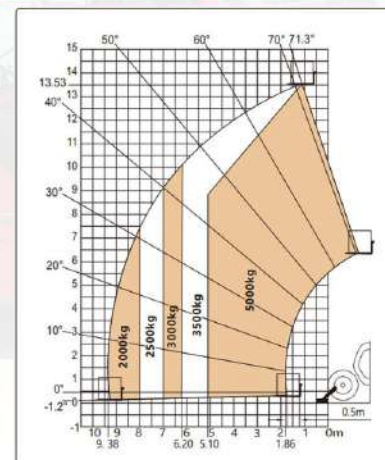
Max. torque / Engine rotation	400 Nm @ 1400 rpm
Drawbar pull (Laden)	Torque converter
Number of gears (forward / reverse)	4 / 4
Max. travel speed	40 km/h
Parking brake	Automatic air-cut brake
Service brake	immersed multi-discs braking on front & rear axles
Hydraulic pump type	Gear pump
Hydraulic flow	150L
Engine oil	5.5L
Hydraulic oil	190L
Fuel tank	195L
Noise at driving position (LpA)	82 dB
Noise to environment (LwA)	105 dB
Vibration on hands / arms	< 2.50 m/s ²
Steering wheels (front / rear)	2 / 2
Drive wheels (front / rear)	2 / 2
Safety cab homologation	FOPS level 2 cab
Drawbar pull (Laden)	10000 daN
Forks length/ width/ section	1220 mm x 125 mm / 50 mm



Machine on tyres with forks - with levelling device Metric



Machine on lowered stabilisers with forks Metric



TELEHANDLERS

T5018

MINIATURE BODYWORK
FLEXIBLE OPERATION



HI**SEN**

TOUGH, RELIABLE

LEARN MORE AT [LEARN MORE AT CHINESEEXCAVATOR.COM](http://CHINESEEXCAVATOR.COM)

PRODUCT PARAMETERS

TELEHANDLER T5018

Max. capacity 5000 kg

Max. lifting height 17.55 m

Max. outreach 11.2 m

Overall length to carriage l11 6.60 m

Length to face of forks l1 7.82 m

Min transport size l12 6.30 m

Overall width b1 2.35 m

Track width b2 1.95 m

Overall height h17 2.65 m

Wheelbase y 3.60 m

Ground clearance m4 0.38 m

Overall cab width b4 0.84 m

Tilt-up angle a4 12°

Tilt-down angle a5 90°

External turning radius(over tyres) 4.10 m

Unladen weight(with fork) 14100 kg

Tires type Tubeless

Standard tires l/e/s 440/80-24

Lifting 35 s

Lowering 35 s

Extension 29 s

Retraction 17 s

Crowd 9 s

Dump 9 s

Engine brand Yuchai Engine

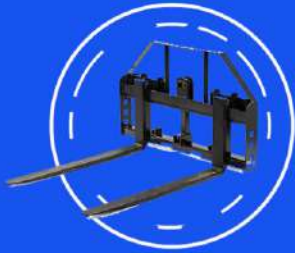
Engine norm National II

Max. fuel sulphur content 5000 ppm

Engine model YCD4J22T-125

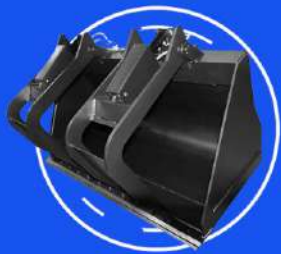
Number of cylinders / Capacity of cylinders 4 - 4400 cm³

I.C. Engine power rating - Power 122 Hp / 91 kW



PALLET FORKS

Rugged design makes it easier to handle heavy palletized material



GRAPPLE BUCKET

Uses hydraulic arms to secure bulky loads and is useful for cleaning debris from job sites



MATERIAL HANDLING ARM

Designed for lifting and placing objects around the job site



PIPE GRAPPLE

For handling multiple pipes or a larger single pipe



LOG HANDLER

For handling multiple logs or a large single log



BALE CLAMP

For picking, carrying and placing large square bales



BALE CRADLE

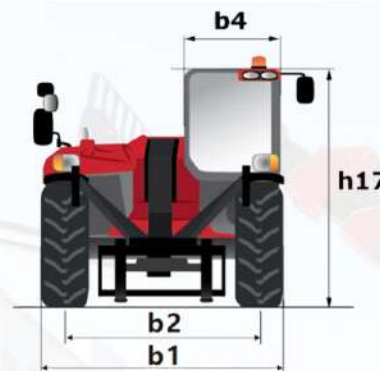
For picking, carrying and placing large round bales



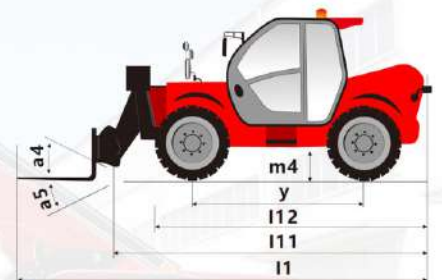
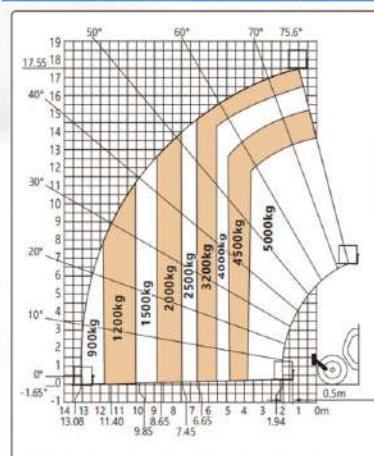
STANDARD CARRIAGE

Forks that are fully floating and adjustable side-to-side for efficient load entry and exit

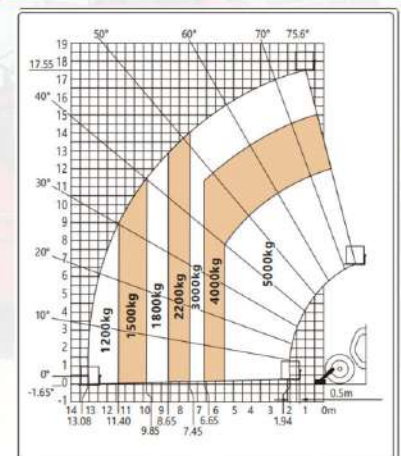
Max. torque / Engine rotation	400 Nm @ 1400 rpm
Drawbar pull (Laden)	Torque converter
Number of gears (forward / reverse)	4 / 4
Max. travel speed	40 km/h
Parking brake	Automatic air-cut brake
Service brake	immersed multi-discs braking on front & rear axles
Hydraulic pump type	Gear pump
Hydraulic flow	150L
Engine oil	5.5L
Hydraulic oil	170L
Fuel tank	195L
Noise at driving position (LpA)	82 dB
Noise to environment (LwA)	105 dB
Vibration on hands / arms	< 2.50 m/s ²
Steering wheels (front / rear)	2 / 2
Drive wheels (front / rear)	2 / 2
Safety cab homologation	FOPS level 2 cab
Drawbar pull (Laden)	10000 daN
Forks length/ width/ section	1220 mm x 125 mm / 50 mm



Machine on tyres with forks - with levelling device Metric



Machine on lowered stabilisers with forks Metric



TELEHANDLERS

T6018

MINIATURE BODYWORK
FLEXIBLE OPERATION



HI**SEN**

TOUGH, RELIABLE

LEARN MORE AT [LEARN MORE AT CHINESEEXCAVATOR.COM](http://CHINESEEXCAVATOR.COM)

PRODUCT PARAMETERS

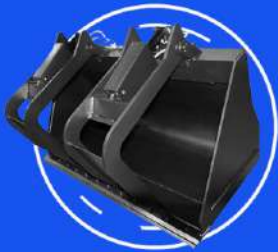
TELEHANDLER T6018

Max. capacity		6000 kg
Max. lifting height		17.60 m
Max. outreach		12 m
Overall length to carriage	l11	6.90 m
Length to face of forks	l1	8.12 m
Min transport size	l12	6.40 m
Overall width	b1	2.70 m
Track width	b2	2.30 m
Overall height	h17	2.76 m
Wheelbase	y	3.60 m
Ground clearance	m4	0.50 m
Overall cab width	b4	0.84 m
Tilt-up angle	a4	12°
Tilt-down angle	a5	90°
External turning radius(over tyres)		4.10 m
Unladen weight(with fork)		17000 kg
Tires type		Tubeless
Standard tires	l/e/s	17.5-25
Lifting		35 s
Lowering		35 s
Extension		29 s
Retraction		17 s
Crowd		9 s
Dump		9 s
Engine brand		Yuchai Engine
Engine norm		National II
Max. fuel sulphur content		5000 ppm
Engine model		1PG605
Number of cylinders / Capacity of cylinders		4 - 4400 cm ³
I.C. Engine power rating - Power		150 Hp / 110 kW



PALLET FORKS

Rugged design makes it easier to handle heavy palletized material



GRAPPLE BUCKET

Uses hydraulic arms to secure bulky loads and is useful for cleaning debris from job sites



MATERIAL HANDLING ARM

Designed for lifting and placing objects around the job site



PIPE GRAPPLE

For handling multiple pipes or a larger single pipe



LOG HANDLER

For handling multiple logs or a large single log



BALE CLAMP

For picking, carrying and placing large square bales



BALE CRADLE

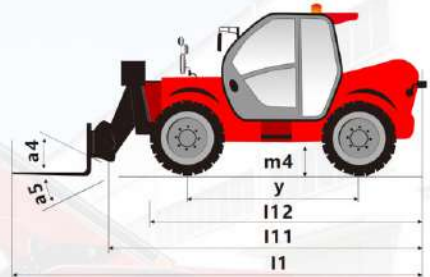
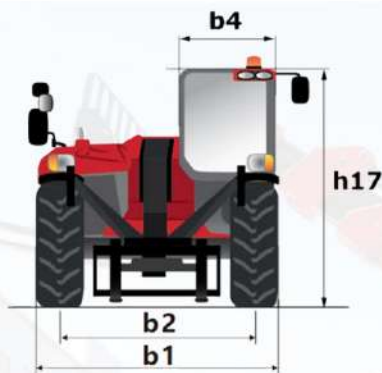
For picking, carrying and placing large round bales



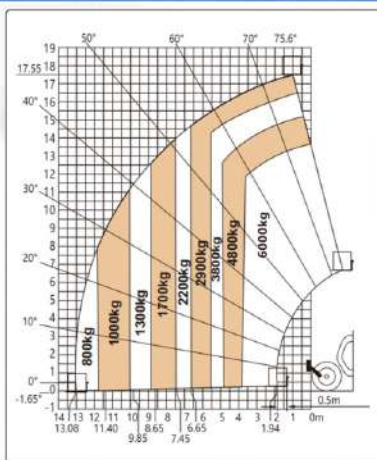
STANDARD CARRIAGE

Forks that are fully floating and adjustable side-to-side for efficient load entry and exit

Max. torque / Engine rotation	400 Nm @ 1400 rpm
Drawbar pull (Laden)	Torque converter
Number of gears (forward / reverse)	4 / 4
Max. travel speed	40 km/h
Parking brake	Automatic air-cut brake
Service brake	immersed multi-discs braking on front & rear axles
Hydraulic pump type	Gear pump
Hydraulic flow	180L
Engine oil	5.5L
Hydraulic oil	170L
Fuel tank	195L
Noise at driving position (LpA)	82 dB
Noise to environment (LwA)	105 dB
Vibration on hands / arms	< 2.50 m/s ²
Steering wheels (front / rear)	2 / 2
Drive wheels (front / rear)	2 / 2
Safety cab homologation	FOPS level 2 cab
Drawbar pull (Laden)	10000 daN
Forks length/ width/ section	1220 mm x 125 mm / 50 mm



Machine on tyres with forks - with levelling device Metric



Machine on lowered stabilisers with forks Metric

